

# nectre.



Pedestal



## N15 PEDESTAL

If you don't have much space to play with – don't worry. The Nectre 15 is simple, classic and compact but offers an impressive radiant heating capacity of up to 160m<sup>2</sup>. The Nectre 15 is the perfect choice for adding some wood fire magic to any corner of the room. Grab a book and get cosy.

[nectre.com.au](http://nectre.com.au)



# nectre. N15 PEDESTAL

- Tiny footprint that provides remarkable heating output
- Firebrick lining to improve thermal mass
- Cool spring handle
- Available in legs, pedestal or wood stacker
- Black metallic paint finish
- Heats up to 160m<sup>2</sup>
- 12.7kW Max average heat output
- 79% efficiency on average
- Emissions of only 1.3g/kg
- Dimensions: 462w x 553d x 791h
- Maximum log width: 330mm
- Weight: 90kg
- Freestanding radiant heating

\*Estimated output depending upon operating conditions.  
All dimensions are in millimeters (mm) unless specified otherwise.

**BASE OPTIONS** LEG, PEDESTAL, WOODSTACKER

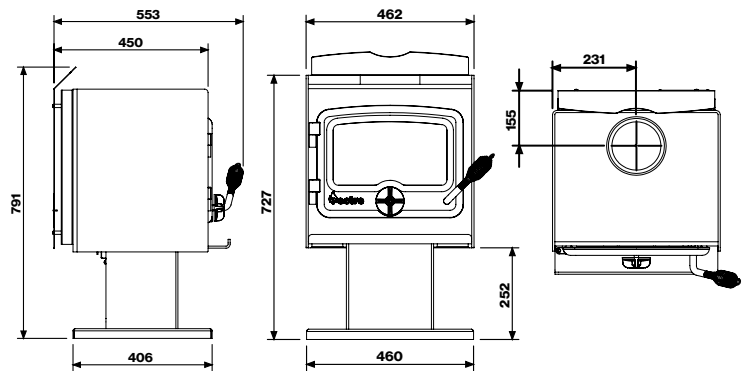
**Space Heat Output** Suitable for medium to large homes (3-4 bedrooms)

Space Heat Output is only a guide based on homes with average insulation, window areas, and 2.4m ceiling heights. Differences in these factors, as well as others like, geographical location, layout of the house, living room size, type of windows all play a part in choosing the right model for your heating needs. Consult your dealer or installation contractor for more information.

\*All dimensions are in millimeters (mm) unless specified otherwise and are shown without side shields fitted (if available). In the interest of product development, Glen Dimplex Australia Pty Ltd reserve the right to change product specifications without prior notice. Refer to the IOM online for the latest up to date information.

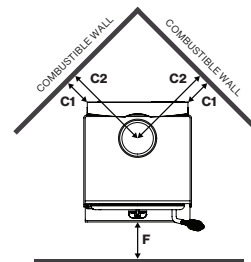


## DIMENSIONS



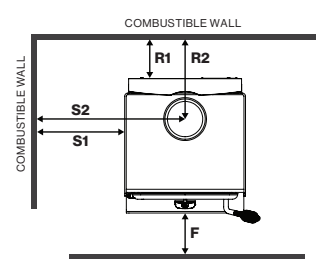
## CLEARANCES

### Corner Installation



Corner - C1	750mm
Corner - C2	1013mm
Floor - F	300mm

### Standard Installation



	Single rear shield <b>OR</b> Solid outer casing <b>OR</b> Decromesh + inner
Side - S1	750mm
Side - S2	981mm
Rear - R1	175mm
Rear - R2	330mm
Floor - F	300mm

## INSTALLATION

All Nectre wood heaters have been tested (Installation Standard AS/NZS 2918) to ensure that they will meet the appropriate safety Standard requirements if the instructions in this manual are followed. Check local building regulations before installing the appliance.

We recommend that the installation of your nectre wood heater be carried out by a qualified installer.

\* Terms and conditions apply, see Installation and Operations Manual for warranty details.



### Glen Dimplex Australia Ltd

Glen Dimplex Australia Ltd's policy is one of continuous development. We reserve the right to change size and specifications without notice. For the latest product information and warranty details please refer to [www.nectre.com.au](http://www.nectre.com.au). Please refer to the installation and operation instructions before having your Nectre Wood Fire installed. A full set of these instructions is supplied with each fire.

For **side shield** installation and detailed clearance dimensions, please refer to the product installation manual available on the Nectre website.