



MEGA LEGS

The Nectre Mega will be a welcome addition into your home. It will give large living spaces plenty of warmth and ambience. It has been designed for maximum impact, offering your home an impressive and highly functional feature where you can gather with friends and family on those chilly winter days.

nectre.com.au

nectre. MEGA LEGS

- Black metallic paint finish
- Heats up to 280m²
- 18.2kW Max average heat output with fan / 16.5kW Max average heat output without fan
- 62% efficiency on average
- 1.5g/kg emissions with fan / 1.4g/kg emissions without fan
- Dimensions: 760w x 663d x 834h
- Maximum log width: 500mm
- Weight: 170kg
- Freestanding Convection heating

*Estimated output depending upon operating conditions.
All dimensions are in millimeters (mm) unless specified otherwise.

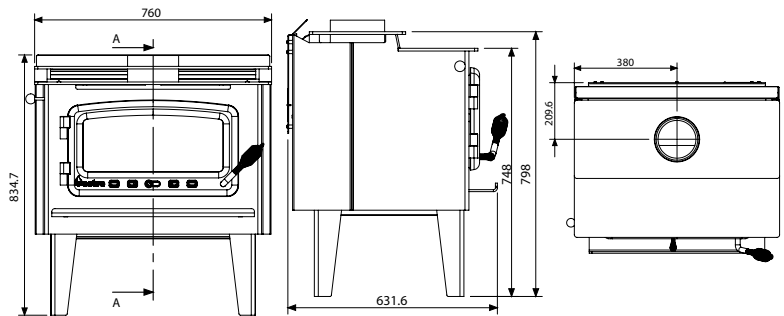
BASE OPTIONS	LEGS, PEDESTAL
Space Heat Output	Suitable for medium to large homes (3-4 bedrooms)

Space Heat Output is only a guide based on homes with average insulation, window areas, and 2.4m ceiling heights. Differences in these factors, as well as others like, geographical location, layout of the house, living room size, type of windows all play a part in choosing the right model for your heating needs. Consult your dealer or installation contractor for more information.

*All dimensions are in millimeters (mm) unless specified otherwise and are shown without side shields fitted (if available). In the interest of product development, Glen Dimplex Australia Pty Ltd reserve the right to change product specifications without prior notice. Refer to the IOM online for the latest up to date information.



DIMENSIONS



INSTALLATION

All Nectre wood heaters have been tested (Installation Standard AS/NZS 2918) to ensure that they will meet the appropriate safety Standard requirements if the instructions in this manual are followed. Check local building regulations before installing the appliance.

We recommend that the installation of your nectre wood heater be carried out by a qualified installer.

* Terms and conditions apply, see Installation and Operations Manual for warranty details.

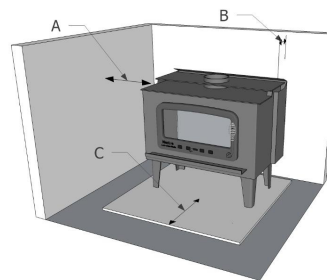


Glen Dimplex Australia Ltd

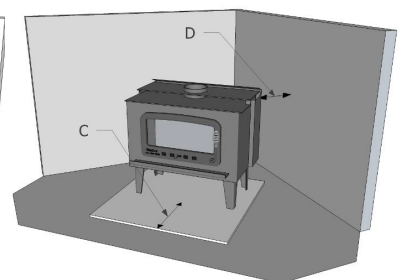
Glen Dimplex Australia Ltd's policy is one of continuous development. We reserve the right to change size and specifications without notice. For the latest product information and warranty details please refer to www.nectre.com.au. Please refer to the installation and operation instructions before having your Nectre Wood Fire installed. A full set of these instructions is supplied with each fire.

CLEARANCES

Corner Installation



Standard Installation



Options		Clearance (mm)			
Model	Flue Shielding	A	B	C	D
Legs and Pedestal	Rear flue shield or Solid + Inner	800	200	300	450
	Decromesh + Inner	875	200	300	450