

nectre.



MK3

You'll be captivated by the sights and crackling sounds of logs burning in the generously sized firebox. The Nectre Mk3 comes with a wood stacker base for added convenience and authentic visual effect. Not only it looks good but it also performs brilliantly.

nectre.com.au

nectre MK3

- Standard 3-speed remote control fan
- Comes with a convenient wood stacker
- Black metallic paint finish
- Heats up to 270m²
- 18.1kW Max average heat output
- 62% efficiency on average
- Emissions of only 1.1g/kg
- Dimensions: 750w x 658.5d x 820h
- Maximum log width: 500mm
- Weight: 160kg
- Freestanding Convection heating

*Estimated output depending upon operating conditions.
All dimensions are in millimeters (mm) unless specified otherwise.

BASE OPTIONS LEGS, PEDESTAL

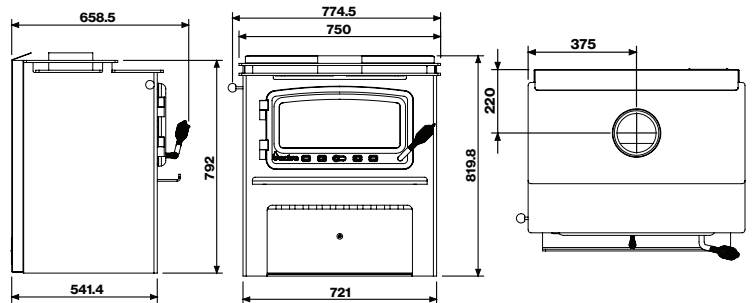
Space Heat Suitable for medium to large homes (3-4 bedrooms)
Output

Space Heat Output is only a guide based on homes with average insulation, window areas, and 2.4m ceiling heights. Differences in these factors, as well as others like, geographical location, layout of the house, living room size, type of windows all play a part in choosing the right model for your heating needs. Consult your dealer or installation contractor for more information.

*All dimensions are in millimeters (mm) unless specified otherwise and are shown without side shields fitted (if available). In the interest of product development, Glen Dimplex Australia Pty Ltd reserve the right to change product specifications without prior notice. Refer to the IOM online for the latest up to date information.



DIMENSIONS



INSTALLATION

All Nectre wood heaters have been tested (Installation Standard AS/NZS 2918) to ensure that they will meet the appropriate safety Standard requirements if the instructions in this manual are followed. Check local building regulations before installing the appliance.

We recommend that the installation of your nectre wood heater be carried out by a qualified installer.

* Terms and conditions apply, see Installation and Operations Manual for warranty details.

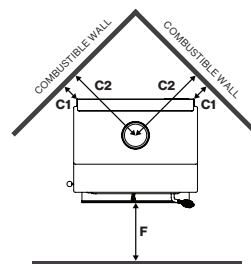


Glen Dimplex Australia Ltd

Glen Dimplex Australia Ltd's policy is one of continuous development. We reserve the right to change size and specifications without notice. For the latest product information and warranty details please refer to www.nectre.com.au. Please refer to the installation and operation instructions before having your Nectre Wood Fire installed. A full set of these instructions is supplied with each fire.

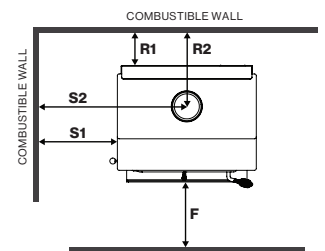
CLEARANCES

Corner Installation



Corner - C1	150mm	125mm
Corner - C2	555mm	530mm
Floor - F	300mm	300mm

Standard Installation



Side - S1	400mm
Side - S2	775mm
Rear - R1	150mm
Rear - R2	370mm
Floor - F	300mm