



# MK1 PEDESTAL

A powerful and robust radiant wood heater, the Nectre Mk1 is a popular choice with a classic design that works well in both traditional and modern settings. For someone who wants to add timeless charm to a contemporary space or simply be captivated by the rustic look, the Mk1 and its impressive heating performance make it a standout.

[nectre.com.au](http://nectre.com.au)

# nectre MK1 PEDESTAL

- Choice of freestanding legs or pedestal
- Black metallic paint finish
- Heats up to 200m<sup>2</sup>
- 18.9kw Max average heat output
- 73% efficiency on average
- Emissions of only 1g/kg
- Dimensions: 725w x 541d x 762h
- Maximum log width: 540mm
- Weight: 120kg
- Freestanding Radiant heating

\*Estimated output depending upon operating conditions.  
All dimensions are in millimeters (mm) unless specified otherwise.

**BASE OPTIONS**      LEGS, PEDESTAL

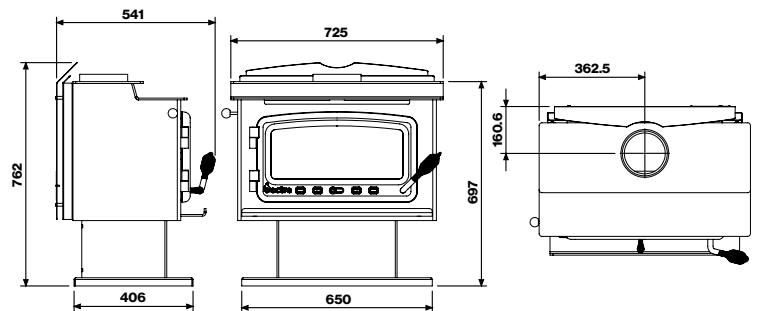
**Space Heat Output**      Suitable for medium to large homes (3-4 bedrooms)

Space Heat Output is only a guide based on homes with average insulation, window areas, and 2.4m ceiling heights. Differences in these factors, as well as others like, geographical location, layout of the house, living room size, type of windows all play a part in choosing the right model for your heating needs. Consult your dealer or installation contractor for more information.

\*All dimensions are in millimeters (mm) unless specified otherwise and are shown without side shields fitted (if available). In the interest of product development, Glen Dimplex Australia Pty Ltd reserve the right to change product specifications without prior notice. Refer to the IOM online for the latest up to date information.



## DIMENSIONS



## INSTALLATION

All Nectre wood heaters have been tested (Installation Standard AS/NZS 2918) to ensure that they will meet the appropriate safety Standard requirements if the instructions in this manual are followed. Check local building regulations before installing the appliance.

We recommend that the installation of your nectre wood heater be carried out by a qualified installer.

\* Terms and conditions apply, see Installation and Operations Manual for warranty details.



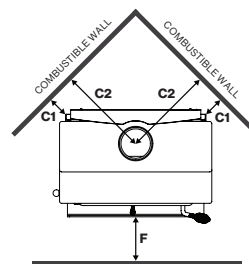
### Glen Dimplex Australia Ltd

Glen Dimplex Australia Ltd's policy is one of continuous development. We reserve the right to change size and specifications without notice. For the latest product information and warranty details please refer to [www.nectre.com.au](http://www.nectre.com.au). Please refer to the installation and operation instructions before having your Nectre Wood Fire installed. A full set of these instructions is supplied with each fire.

[nectre.com.au](http://nectre.com.au)

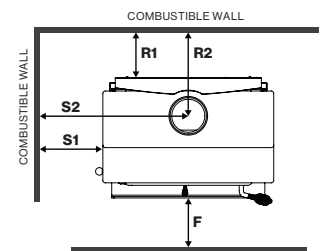
## CLEARANCES

### Corner Installation



	Without side shields	With side shields
Corner - C1	500mm	300mm
Corner - C2	834mm	634mm
Floor - F	400mm	400mm

### Standard Installation



	Without side shields	With side shields
Side - S1	650mm	500mm
Side - S2	1013mm	863mm
Rear - R1	140mm	140mm
Rear - R2	301mm	301mm
Floor - F	400mm	400mm