

# nectre.



## INBUILT

Designed with an enormous firebox that is alluring to the eyes. It is elegantly crafted with a longer burn time to ensure those cozy moments last forever. It should definitely be the fireplace to keep you warm and snugly during the winter nights.

[nectre.com.au](https://nectre.com.au)

- Massive firebox
- Longer burn time for better efficiency
- Black metallic paint finish
- Heats up to 160m<sup>2</sup>
- 10.5kw Max average heat output
- 62% efficiency on average
- 0.90g/kg emissions
- Dimensions: 695(w) x 541(d) x 616(h)mm
- Maximum log width: 430mm
- Weight: 120kg
- Freestanding Convection heating

\*Estimated output depending upon operating conditions.  
All dimensions are in millimeters (mm) unless specified otherwise.

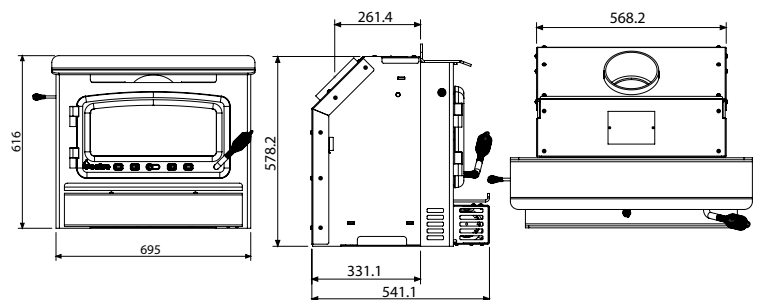
<b>BASE OPTIONS</b>	<b>INBUILT</b>
<b>Space Heat Output</b>	Suitable for small to medium homes (2-3 bedrooms)

Space Heat Output is only a guide based on homes with average insulation, window areas, and 2.4m ceiling heights. Differences in these factors, as well as others like, geographical location, layout of the house, living room size, type of windows all play a part in choosing the right model for your heating needs. Consult your dealer or installation contractor for more information.

\*All dimensions are in millimeters (mm) unless specified otherwise and are shown without side shields fitted (if available). In the interest of product development, Glen Dimplex Australia Pty Ltd reserve the right to change product specifications without prior notice. Refer to the IOM online for the latest up to date information.



## DIMENSIONS



## INSTALLATION

All Nectre wood heaters have been tested (Installation Standard AS/NZS 2918) to ensure that they will meet the appropriate safety Standard requirements if the instructions in this manual are followed. Check local building regulations before installing the appliance.

We recommend that the installation of your nectre wood heater be carried out by a qualified installer.

\* Terms and conditions apply, see Installation and Operations Manual for warranty details.

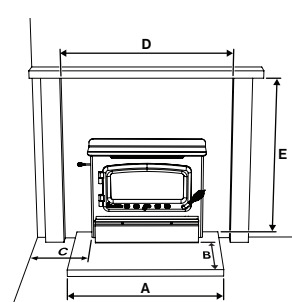


### Glen Dimplex Australia Ltd

Glen Dimplex Australia Ltd's policy is one of continuous development. We reserve the right to change size and specifications without notice. For the latest product information and warranty details please refer to [www.nectre.com.au](http://www.nectre.com.au). Please refer to the installation and operation instructions before having your Nectre Wood Fire installed. A full set of these instructions is supplied with each fire.

## CLEARANCES

### Standard Installation



Floor protector width - A	900mm
Floor protector depth - B (may be reduced)*	290mm
Distance to wall - C	355mm
Width between columns - D	1050mm
Height to mantelpiece - E	1160mm

\* The dimensions given in the table above are the minimum required for the floor protector. It may be desirable, for example aesthetic reasons, for the floor protector to be larger than these minimum dimensions. The floor protector shall be constructed of minimum 40mm thick compressed cement sheet with thermal conductivity not greater than 0.33W/m °K. The floor protector may be laid directly on the combustible floor.