

# nectre.



## BAKERS OVEN

Why stop at just heating your home? The Nectre Bakers Oven gives you the option to warm your living area and cook meals with the efficiency and natural power of a real wood fire. Using its traditional styled stove top and large oven, imagine impressing your guests in a cosy corner of your home with the sights and smells of home cooking while watching logs smoulder and flames dance.

[nectre.com.au](http://nectre.com.au)

# nectre. BAKERS OVEN

- Oven temperature thermometer
- 6mm steel cooktop
- Optional factory fitted domestic hot water boiler
- Black metallic paint finish
- Heats up to 120m<sup>2</sup>
- 15kW Max average heat output
- Dimensions: 550w x 652d x 866h
- Maximum log width: 300mm
- Weight: 120kg
- Freestanding radiant heating

\*Estimated output depending upon operating conditions.  
All dimensions are in millimeters (mm) unless specified otherwise.

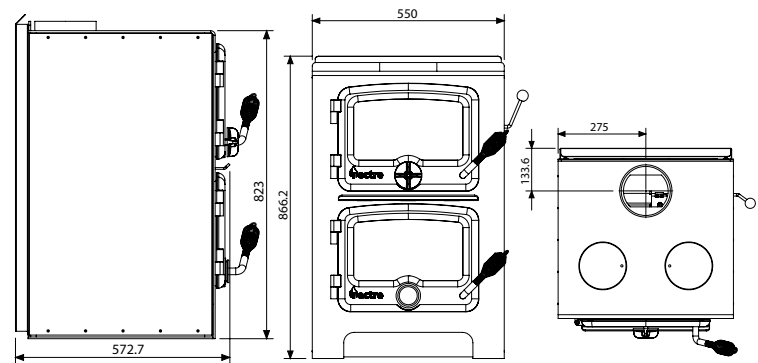
<b>BASE OPTIONS</b>	PEDESTAL
<b>Space Heat Output</b>	Suitable for small to medium homes (2-3 bedrooms)

Space Heat Output is only a guide based on homes with average insulation, window areas, and 2.4m ceiling heights. Differences in these factors, as well as others like, geographical location, layout of the house, living room size, type of windows all play a part in choosing the right model for your heating needs. Consult your dealer or installation contractor for more information.

\*All dimensions are in millimeters (mm) unless specified otherwise and are shown without side shields fitted (if available). In the interest of product development, Glen Dimplex Australia Pty Ltd reserve the right to change product specifications without prior notice. Refer to the IOM online for the latest up to date information.



## DIMENSIONS



## CLEARANCES

## INSTALLATION

All Nectre wood heaters have been tested (Installation Standard AS/NZS 2918) to ensure that they will meet the appropriate safety Standard requirements if the instructions in this manual are followed. Check local building regulations before installing the appliance.

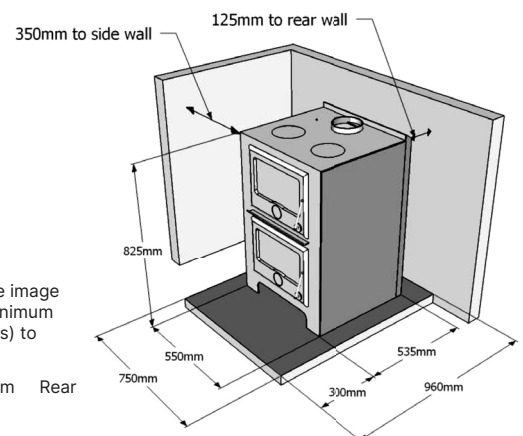
We recommend that the installation of your nectre wood heater be carried out by a qualified installer.

\* Terms and conditions apply, see Installation and Operations Manual for warranty details.



### Glen Dimplex Australia Ltd

Glen Dimplex Australia Ltd's policy is one of continuous development. We reserve the right to change size and specifications without notice. For the latest product information and warranty details please refer to [www.nectre.com.au](http://www.nectre.com.au). Please refer to the installation and operation instructions before having your Nectre Wood Fire installed. A full set of these instructions is supplied with each fire.



### Standard Installation

Dimensions given in the image below represent the minimum clearance (in millimetres) to combustible materials.

Side clearance = 350mm Rear clearance = 125mm

### Corner Installation

If the appliance is placed in the corner of a room, the minimum clearance from the corner edge of the appliance to the nearest combustible surface is 350mm.