



BAKERS OVEN

Show stopper performance and versatility.

The Nectre Bakers Oven provides excellent warmth and cooking performance which fits in just about any living space without being obtrusive. Consult your respective local Council for clarification on rules appertaining to the installation of wood-fired cooking appliances.*

[nectre.co.nz](https://www.nectre.co.nz)

* Nectre Bakers Ovens come under the wood-fired cooking appliance category and are exempt from NES rules. Each council has different rules; hence check with your local council before purchase. Generally, they are allowed if you are out of the clean air zone and over 2ha.

nectre BAKERS OVEN

- 6mm steel firebox and cast iron door
- Stay cool spring handle
- Finished in black metallic paint
- Door aperture : 350 x 260
- Firebox size : 340(w) x 300(d) x 380(h)
- Firebox cubic size : 39L
- Weight : 170kg
- Maximum log width : 300
- Firebricks : 3 of 230 x 115 x 38
- Flue spigot size : 150 (6")
- 6mm Steel Cook Top
- Oven temperature thermometer
- Optional factory fitted domestic hot water booster with 2.5~3.0kW output ^
- 12mm Insulated Floor Protector
- Estimated Max Average kW Output : 9

^ Estimated output depending upon operating conditions.
All dimensions are in millimeters (mm) unless specified otherwise.

BASE OPTIONS



Without water booster



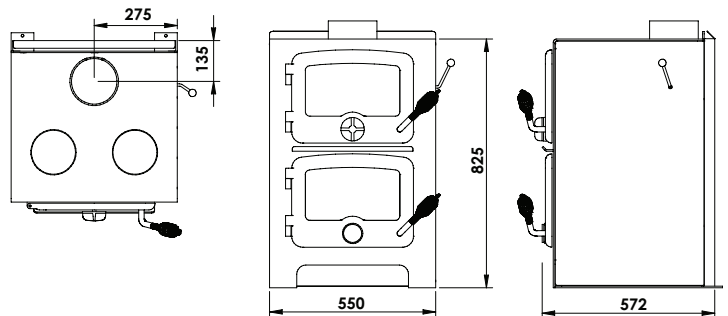
With water booster

	Without water booster	With water booster
Oven Only	970911	970913*
Flue Pack Only	GDFLU013M & NECTDROPBOX**	GDFLU013M & NECTDROPBOX**
Oven & Flue Pack	KITBAKEOVEN	KITBAKEOVENW

*Water booster is factory fitted hence can not be retrofitted.
Order oven with water booster option at the time of purchasing.
** For angled ceilings, order ceiling plate specifying ceiling angle.



DIMENSIONS



INSTALLATION

When installed in the correct manner as shown in the Nectre Installation Manual (supplied with the fire), your fire will provide a cleaner and more energy efficient warmth. Nectre recommends that all installation work be carried out by an installer who has completed the NZHHA certification programme. We recommend that your Nectre Fire is installed with an approved Masport flue kit.

* Terms and conditions apply, see Installation and Operations Manual for warranty details.



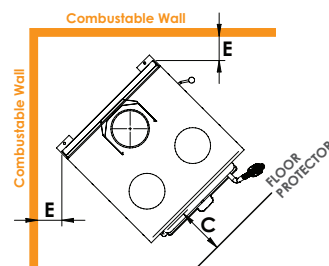
Glen Dimplex New Zealand Ltd PO Box 58473, Botany, Auckland

Glen Dimplex New Zealand Ltd's policy is one of continuous development. We reserve the right to change size and specifications without notice. For the latest product information and warranty details please refer to www.nectre.co.nz. Please refer to the installation and operation instructions before having your Nectre Wood Fire installed. A full set of these instructions is supplied with each fire.

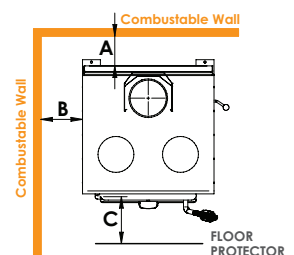
nectre.co.nz

CLEARANCES

Corner Installation



Parallel Installation



Flue Shielding	A	B	C	E
900mm rear flue shield	125	350	300	350

For detailed clearance dimensions, refer to Nectre website.

Space Heat Output Suitable for small to medium homes (2-3 bedrooms)

Space Heat Output is only a guide based on homes with average insulation, window areas, and 2.4m ceiling heights. Differences in these factors, as well as others like, geographical location, layout of the house, living room size, type of windows all play a part in choosing the right model for your heating needs. Consult your dealer or installation contractor for more information.